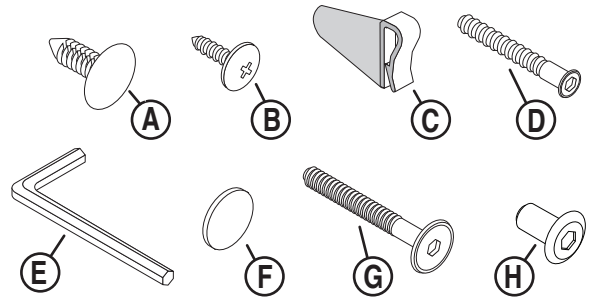


PARTS BAG A-Line Greetings 13591 4' 16-Tier Display

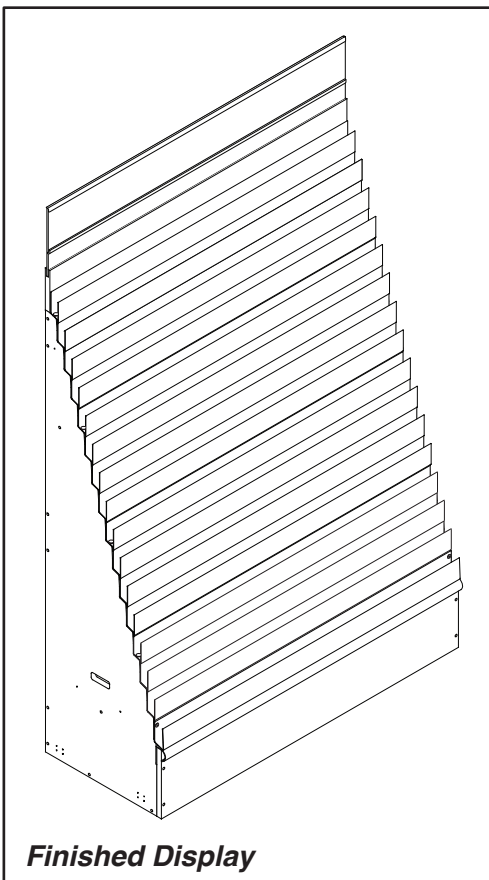
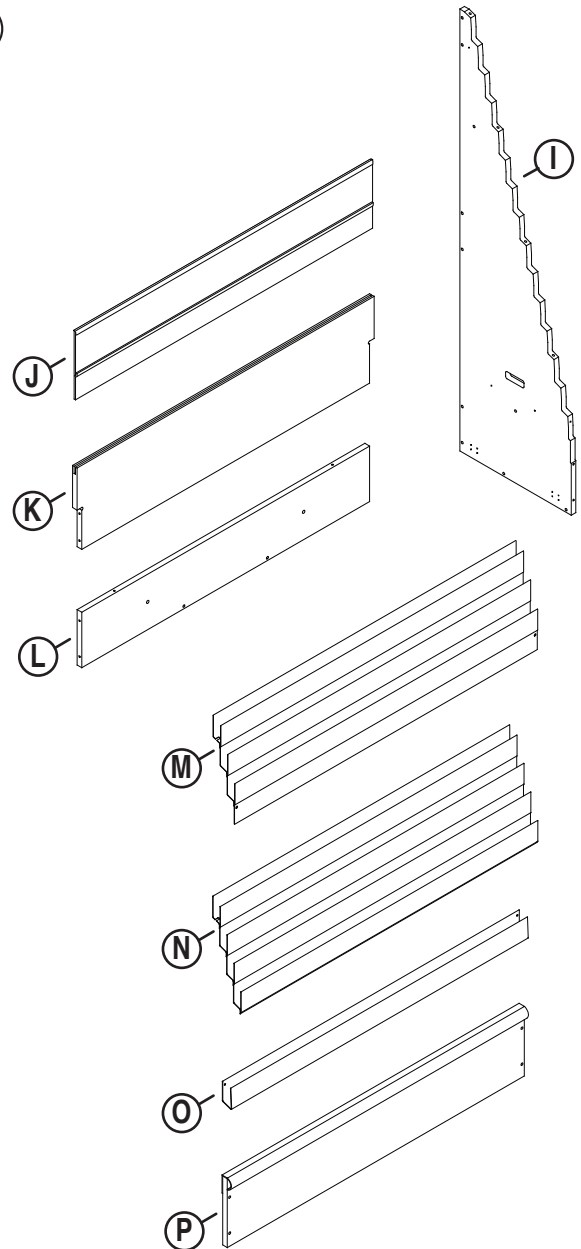
PART	Quantity	Reference
Push Pins	10 (2 extra)	A
Screw	2	B
Card Clip	112	C
Connector Bolt	17 (1 extra)	D
Hex Wrench	1	E
Bolt Cap	4	F
Connector Bolt - Machine	4	G
Connector Nut	4	H



OTHER TOOLS REQUIRED: #2 Phillips Screwdriver

PARTS LIST

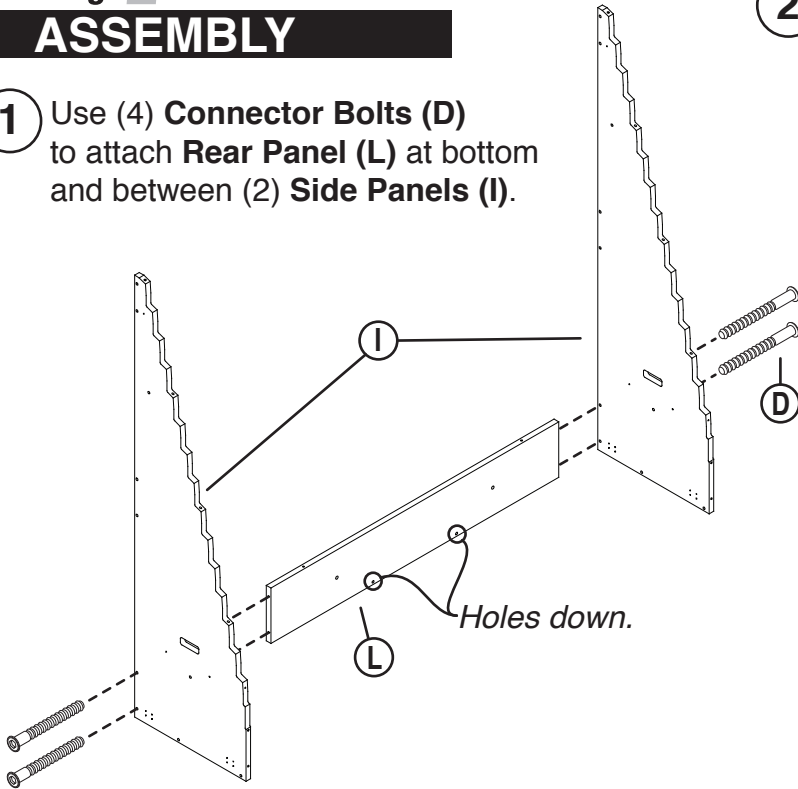
PART	Quantity	Reference
Side Panel	2	I
Sign Header	1	J
Sign Header Support	1	K
Rear Panel	2	L
3-Tier Rack	1	M
4-Tier Rack	3	N
Clear Rack	1	O
Front Panel	1	P



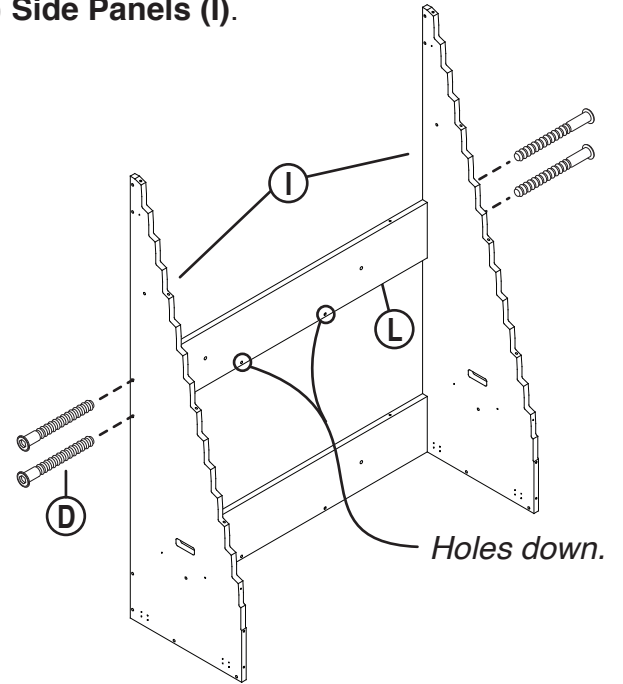
If you have any questions or need replacement parts, please call:
UPC Customer Service
 1-800-859-7442
Design & Manufacture

ASSEMBLY

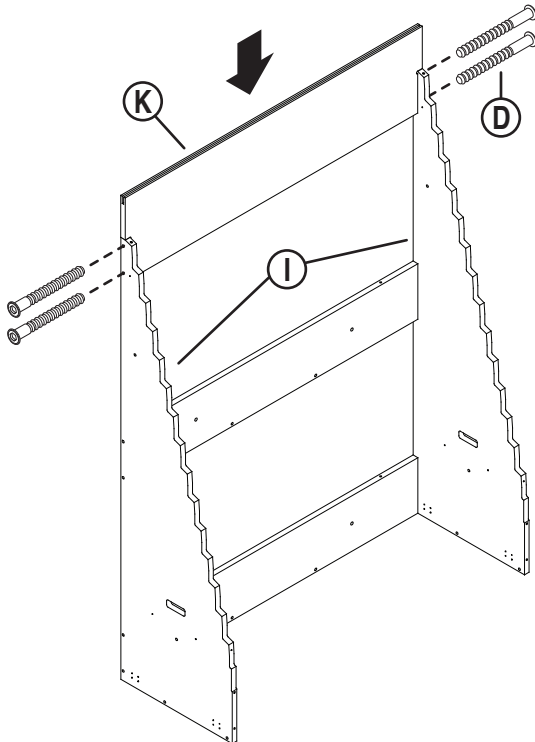
- 1** Use (4) **Connector Bolts (D)** to attach **Rear Panel (L)** at bottom and between (2) **Side Panels (I)**.



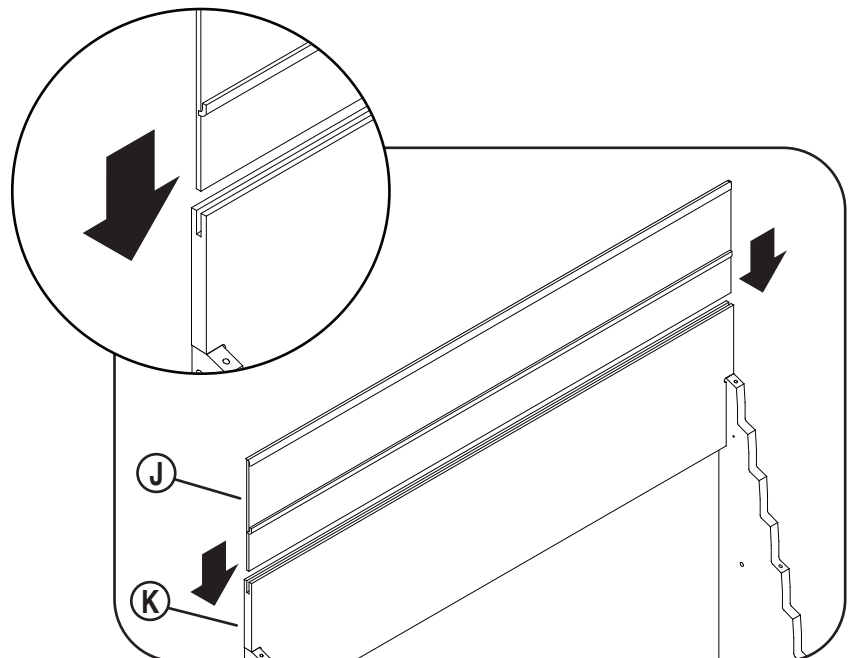
- 2** Use (4) **Connector Bolts (D)** to attach **Rear Panel (L)** at middle and in-between (2) **Side Panels (I)**.



- 3** Slide **Sign Header Support (K)** down in-between **Side Panels (I)** and secure using (4) **Connector Bolts (D)**.



- 4** Slide **Sign Header (J)** down into **Sign Header Support (K)** slot.

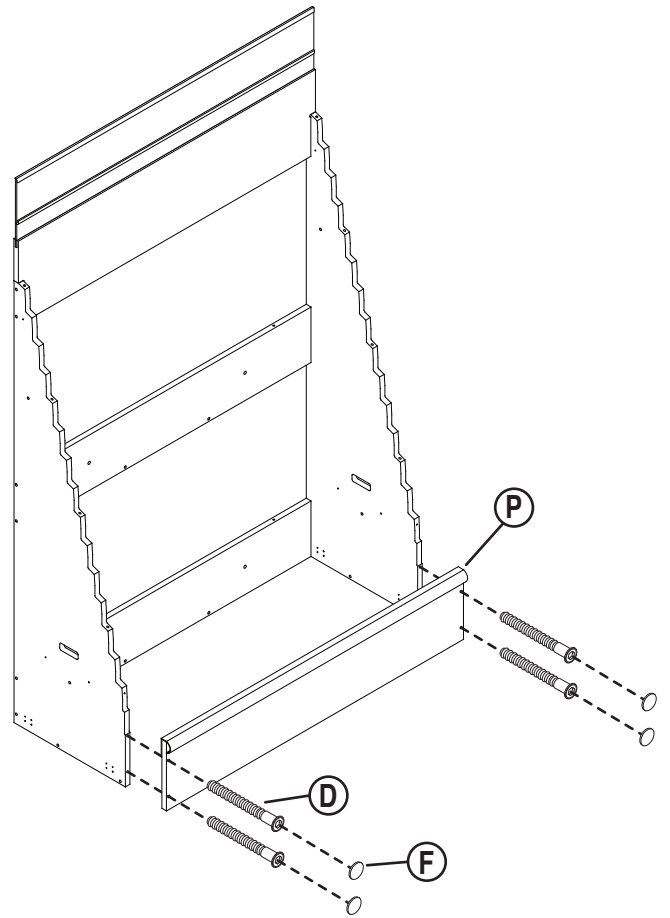


If you have any questions or need replacement parts, please call:
UPC Customer Service
1-800-859-7442

Design & Manufacture

ASSEMBLY

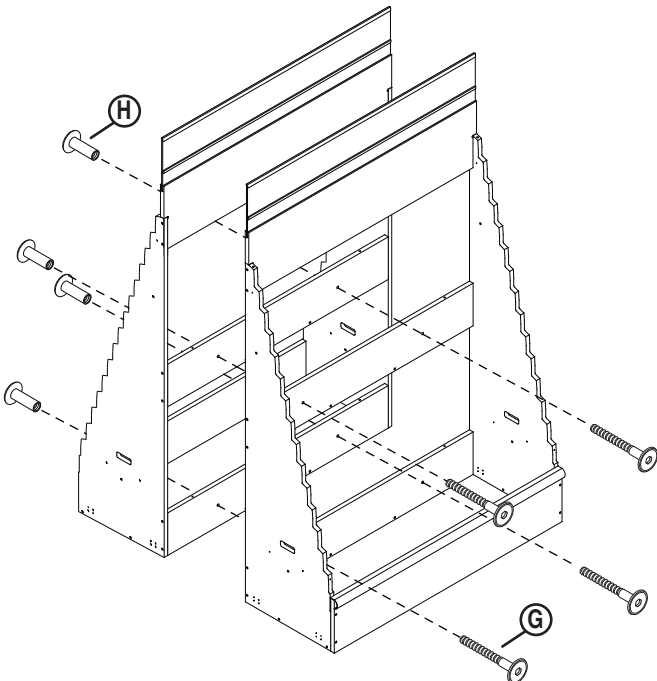
- 5** Use (4) **Connector Bolts (D)** to attach **Front Panel (P)** to assembly and cover bolts after installed with (4) **Bolt Caps (F)** as shown below.



- 6** **NOTE:**
IF NOT BOLTING TWO FIXTURES TOGETHER,
MOVE AHEAD TO STEP 7.

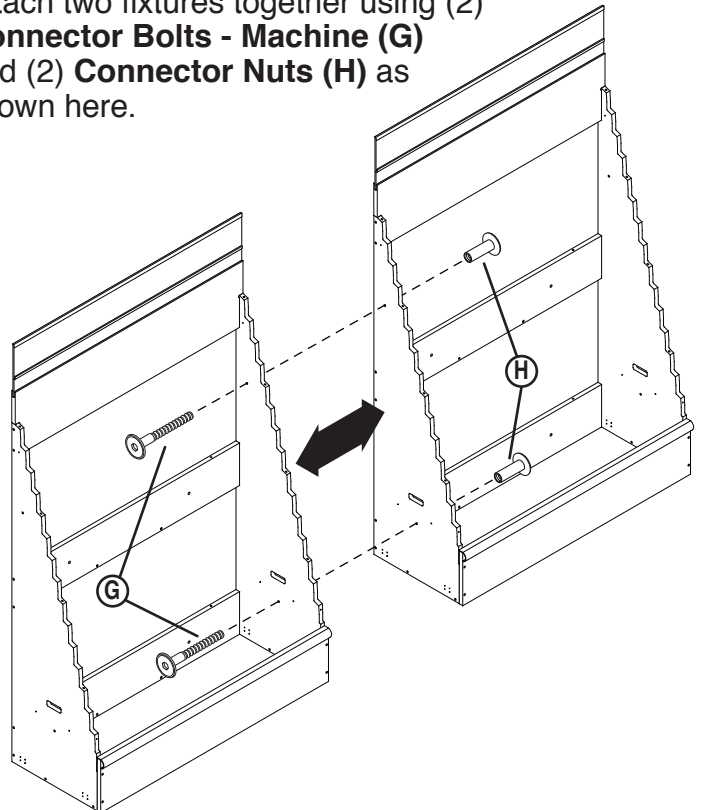
BACK TO BACK:

Attach two fixtures together using (4) **Connector Bolts - Machine (G)** and (4) **Connector Nuts (H)** as shown below.



SIDE BY SIDE:

Attach two fixtures together using (2) **Connector Bolts - Machine (G)** and (2) **Connector Nuts (H)** as shown here.

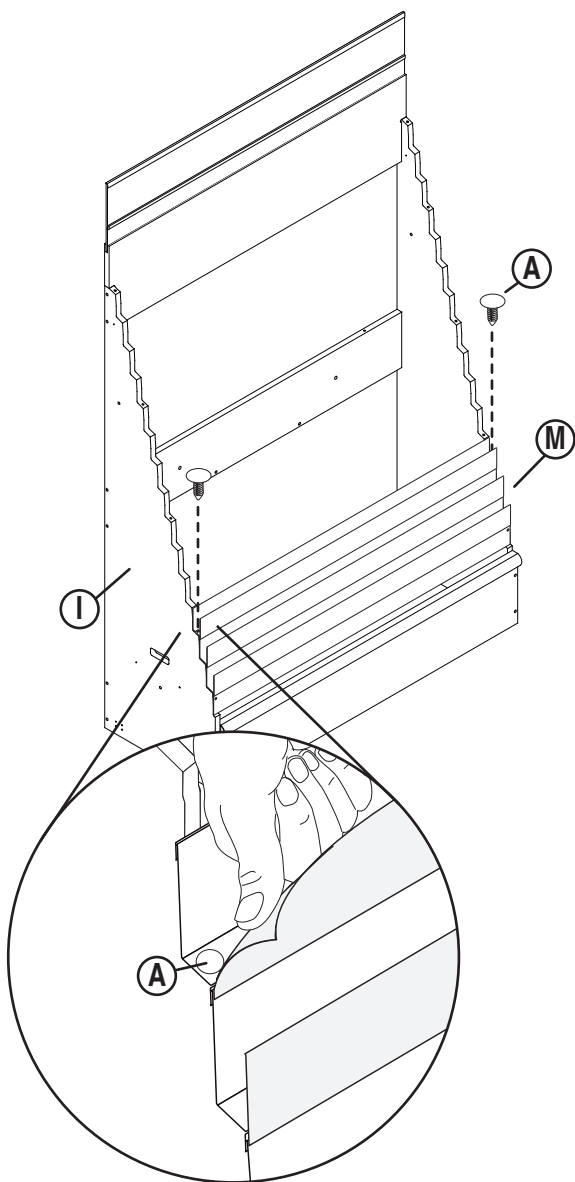


ASSEMBLY

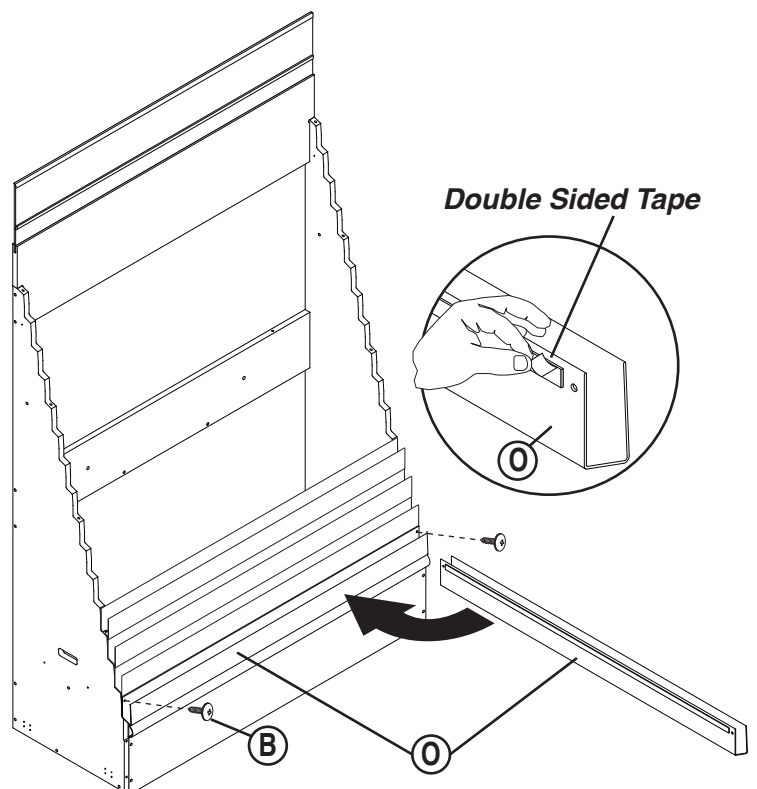
7 **WARNING:** You **CAN NOT** remove push pins once inserted

Install the **3-Tier Rack (M)** using (2) **Push Pins (A)** in lowest set of step holes on **Side Panels (I)**.

Tip: Many installers gently bend the rack open (below) and use the end of a screwdriver handle or hammer handle to press **Push Pins (A)** firmly into place.



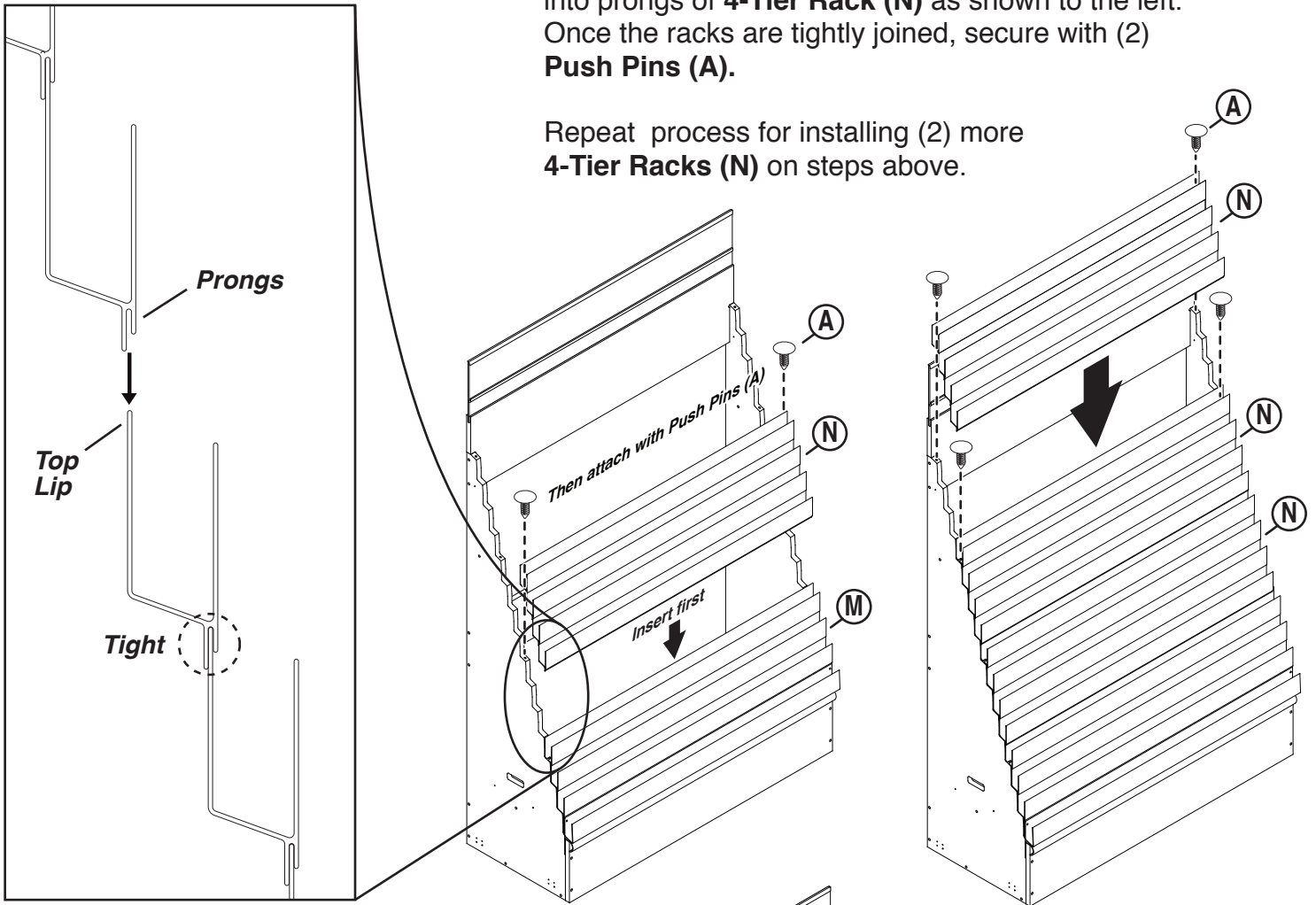
8 Remove protective covering from **Double Sided Tape** on **Clear Rack (O)**. Attach using (2) **Screws (B)**. Press firmly along taped area to adhere.



ASSEMBLY

- 9** Set (1) **4-Tier Rack (N)** on steps up from **3-Tier Rack (M)** while inserting top lip of **3-Tier Rack (M)** into prongs of **4-Tier Rack (N)** as shown to the left. Once the racks are tightly joined, secure with (2) **Push Pins (A)**.

Repeat process for installing (2) more **4-Tier Racks (N)** on steps above.



- 10** Attach **Card Clips (C)** to racks as needed.

