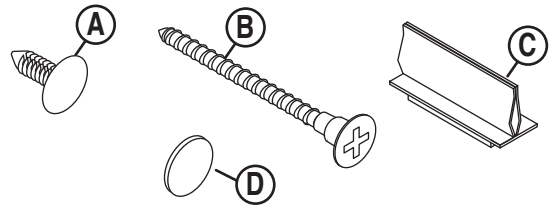


PARTS BAG UPC 1303 Tree Free Greetings Mug Display

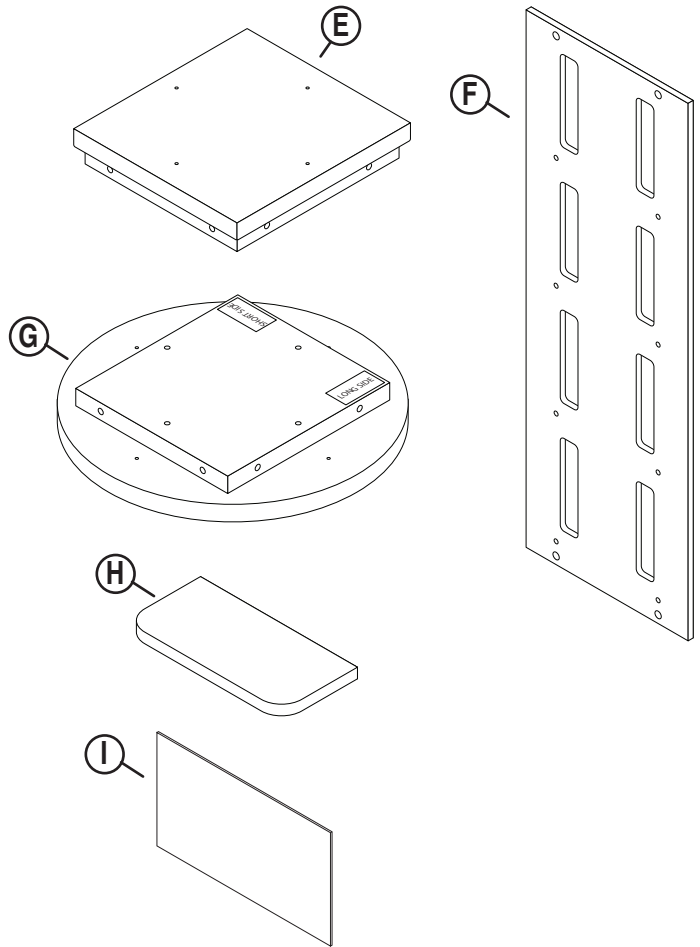
PART	Quantity	Reference
Push Pin	17 (1 extra)	A
Screw	34(2 extra)	B
Header Clip	1	C
Bumper	4	D



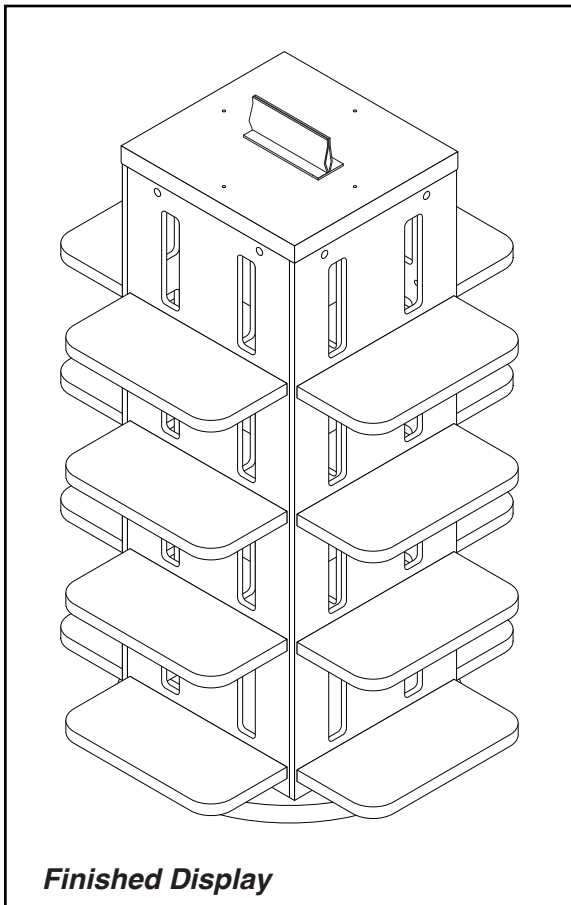
TOOLS REQUIRED: #2 Phillips Screwdriver or Power Screwdriver (recommended)

PARTS LIST

PART	Quantity	Reference
Top Cap	1	E
Side Panel	4	F
Base	1	G
Shelf	16	H
Header	1	I



NOTE: Panel inserts on Base and Top Cap are NOT Square. Assembly may be easier starting with a longer side (labeled).

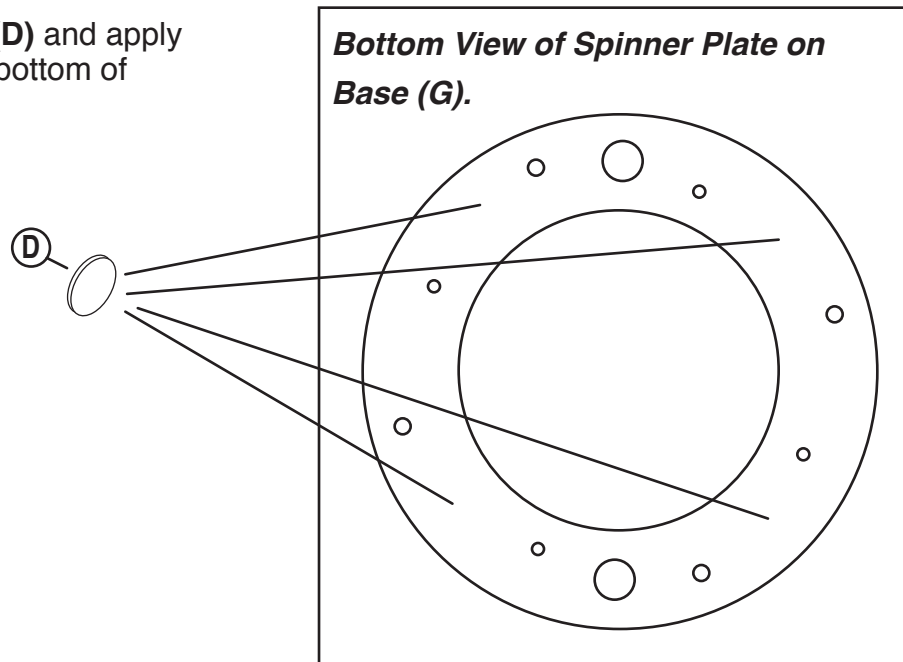


If you have any questions or need replacement parts, please call:
UPC Customer Service
 1-800-859-7442
Design & Manufacture

ASSEMBLY

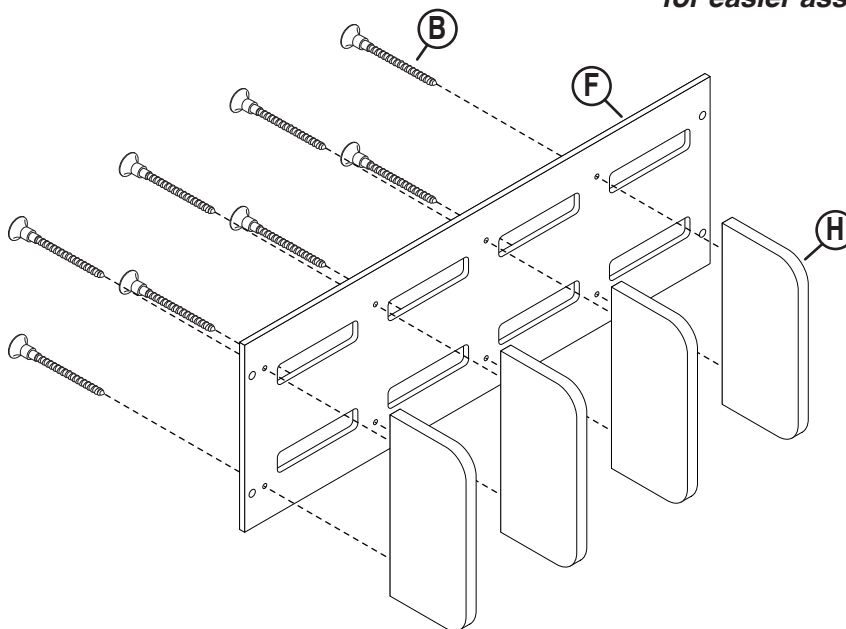
NOTE: Assembly may be easier with 2 people.

- 1** Peel (4) **Bumpers (D)** and apply to spinner plate on bottom of **Base (G)**.



- 2** Attach (4) **Shelves (H)** to each **Side Panel (F)** using (2) **Screws (B)** per Shelf. Assure proper alignment of shelf holes and **Screws (B)** before tightening.

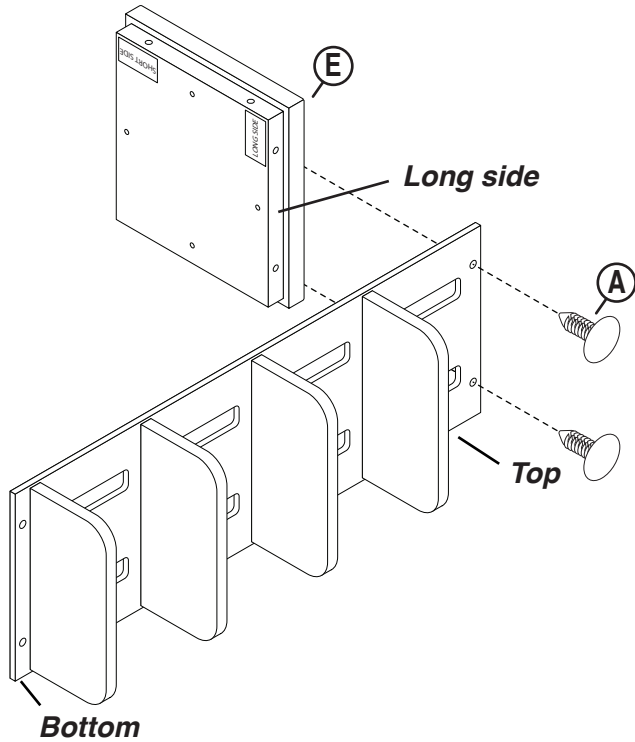
Panel and shelves shown on side for easier assembly.



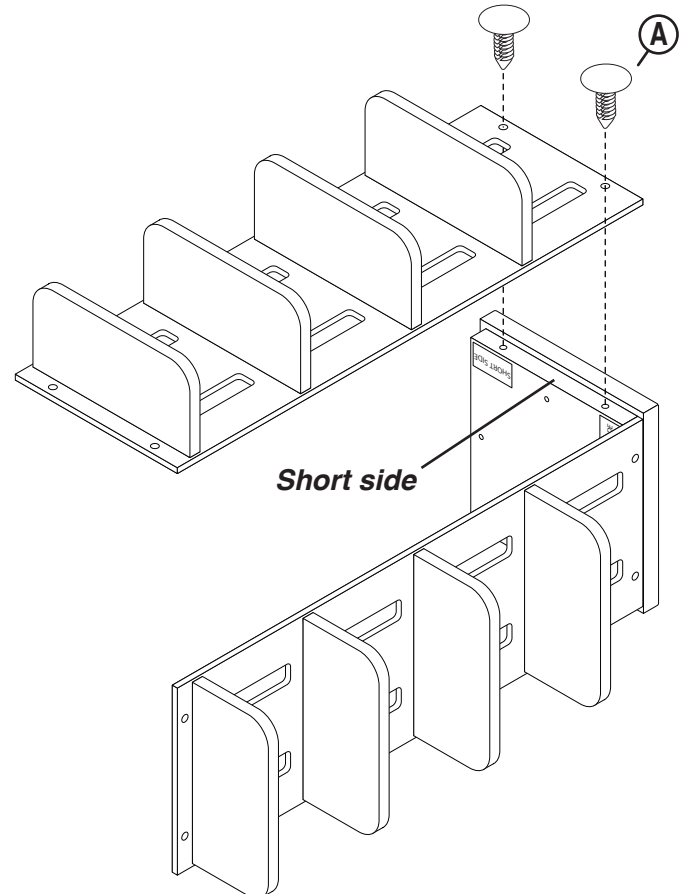
ASSEMBLY

3 **WARNING: Push Pins CAN NOT be removed once inserted!**

Turn **Top Cap (E)** on its side, and attach a panel assembly (also on its side) to a **LONG** side using (2) **Push Pins (A)**.



4 Attach an adjacent panel to a **SHORT** side using (2) **Push Pins (A)**.



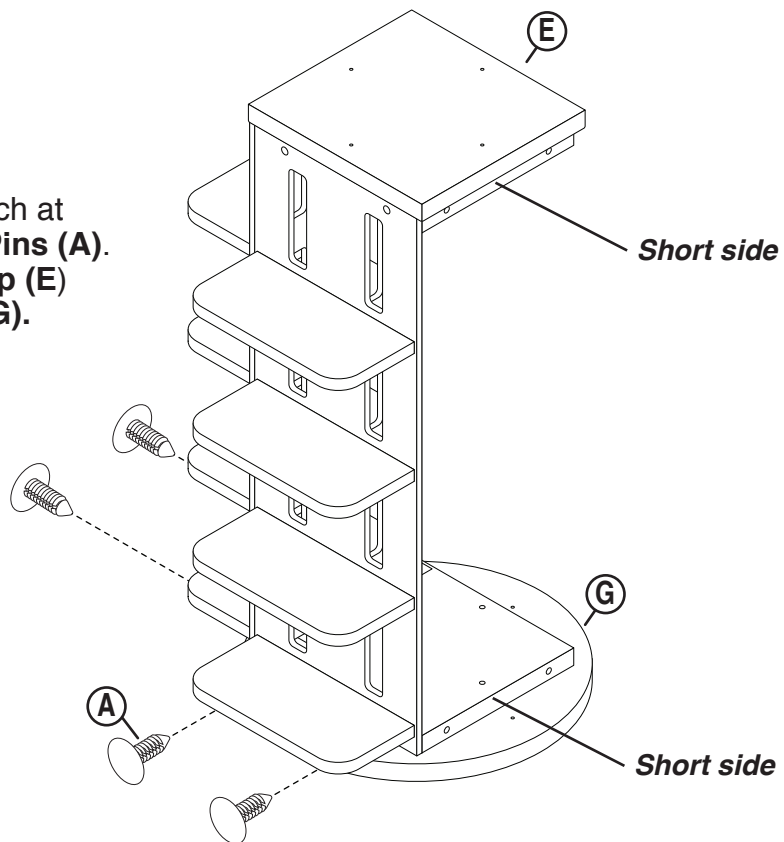
If you have any questions or need replacement parts, please call:

UPC Customer Service
1-800-859-7442

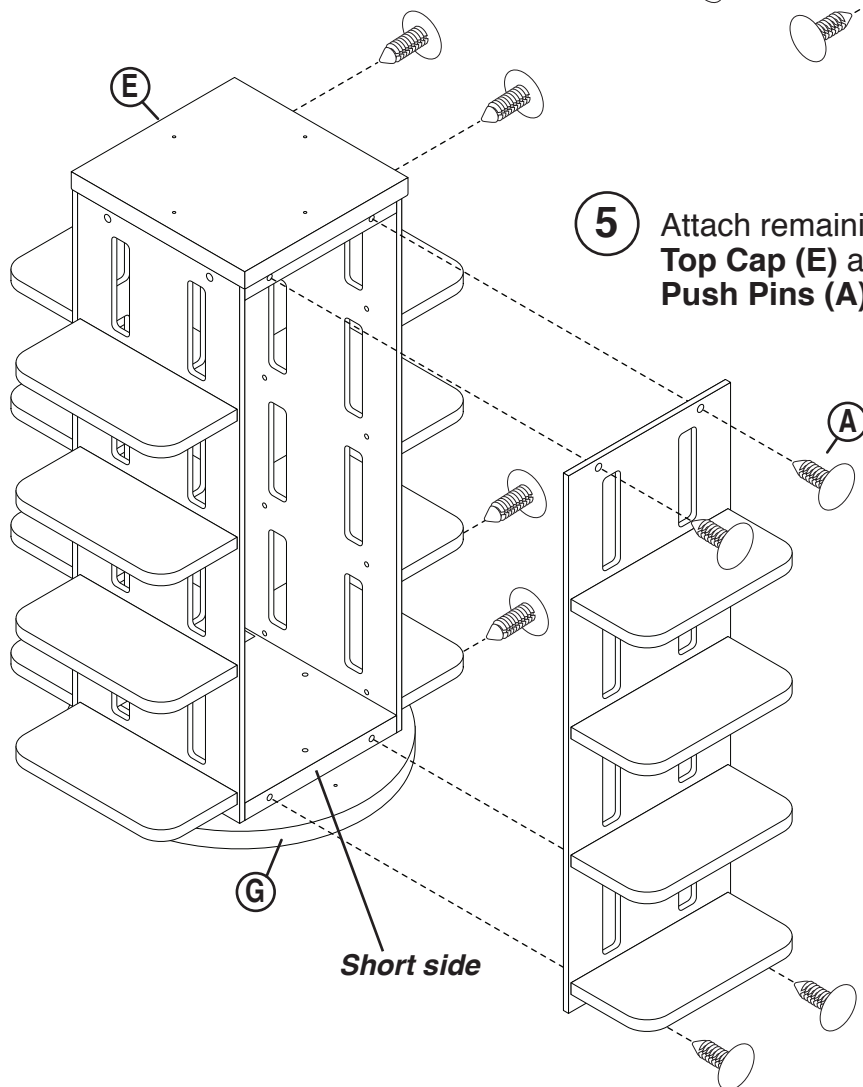
Design & Manufacture

ASSEMBLY

- 4** Turn assembly right side up and attach at bottom to **Base (G)** using (4) **Push Pins (A)**. Make sure that short side on **Top Cap (E)** corresponds to short side on **Base (G)**.



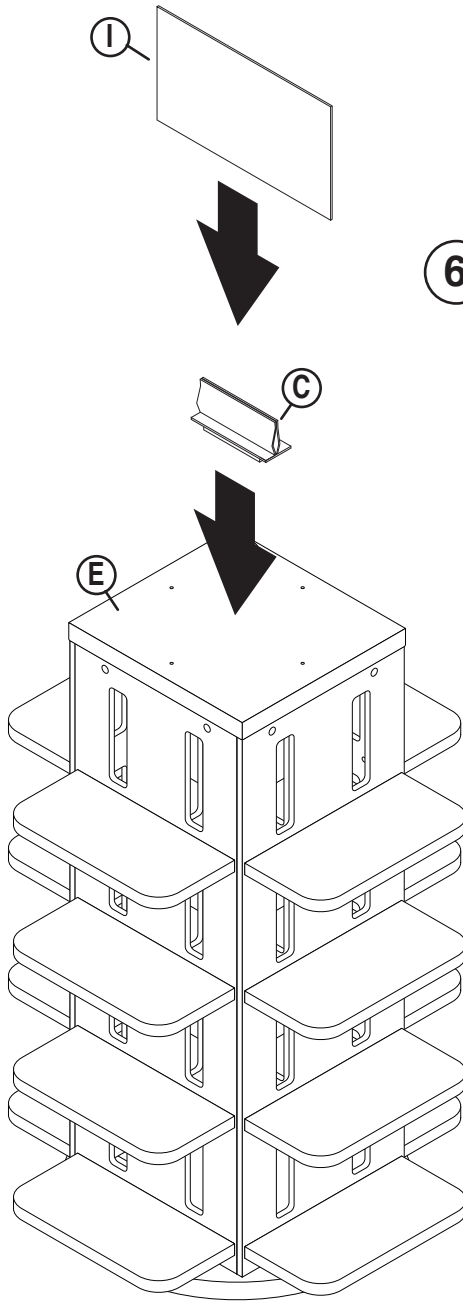
- 5** Attach remaining (2) panel assemblies to **Top Cap (E)** and **Base (G)** using (4) **Push Pins (A)** per panel.



If you have any questions or need replacement parts, please call:
UPC Customer Service
1-800-859-7442

Design & Manufacture

ASSEMBLY



- 6** Peel protective covering from double sided tape on **Header Clip (C)** and adhere to **Top Cap (E)**. Insert **Header (I)** into **Header Clip (C)**.